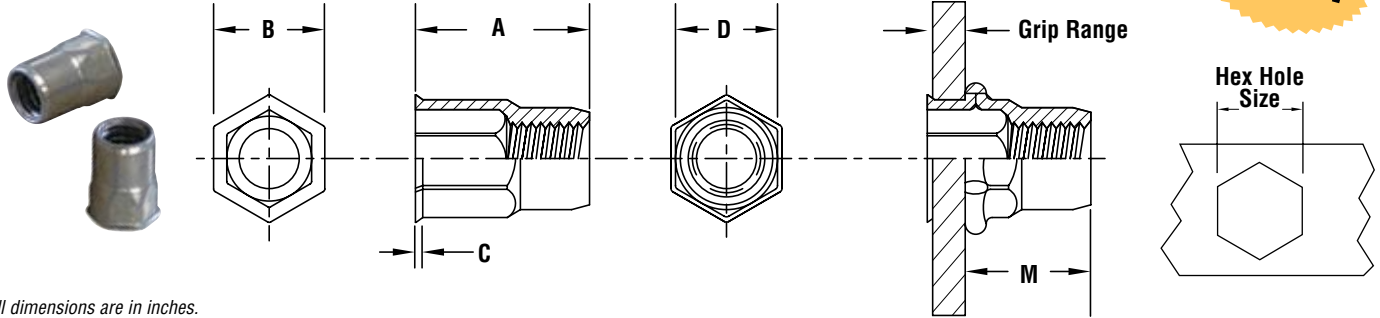




- Stainless Steel insert for superior corrosion resistance.
- Hexagonal hole for increased spinout.



All dimensions are in inches.

Thread Size (1)	Part Number	Grip Range (1)	A ±.010	B ±.012	C ±.004	D Max.	M Ref.	Hex Hole Size In Sheet +.004 -.000
#8-32	AETHC-832-80	.020 - .080	.430	.260	.020	.235	.270	.236
#10-32	AETHC-1032-120	.020 - .120	.470	.300	.020	.275	.260	.276
1/4-20	AETHC-420-120	.020 - .120	.570	.380	.025	.353	.335	.354
1/4-20	AETHC-420-220	.120 - .220	.650	.380	.025	.353	.305	.354
5/16-18	AETHC-518-120	.020 - .120	.630	.470	.028	.432	.355	.433

All dimensions are in millimeters.

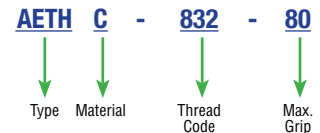
Thread Size (1)	Part Number	Grip Range (1)	A ±0.25	B ±0.31	C ±0.1	D Max.	M Ref.	Hex Hole Size In Sheet +0.1
M4	AETHC-470-2.0	0.5 - 2	10.92	6.6	0.51	5.98	6.85	6
M5	AETHC-580-3.0	0.5 - 3	11.94	7.62	0.51	6.98	6.6	7
M6	AETHC-610-3.0	0.5 - 3	14.48	9.65	0.64	8.98	8.5	9
M6	AETHC-610-5.5	3 - 5.5	16.51	9.65	0.64	8.98	7.75	9
M8	AETHC-8125-3.0	0.5 - 3	16	11.94	0.71	10.98	9	11

(1) Additional thread sizes and grip ranges available.

## MATERIAL & FINISH SPECIFICATIONS

Type	Threads	Material	Standard Finish
AETHC	Unified, 2B per ASME B1.1 Metric, 6H per ASME B1.13M	300 Series Stainless Steel	Passivated

### Part Number Designation



## PERFORMANCE DATA

Part Number	Test Sheet	Near Minimum Grip				Near Maximum Grip			
		Pullout (lbs.)	Pushout (lbs.)	Spinout (in. lbs.)	Upset Load (lbs.)	Pullout (lbs.)	Pushout (lbs.)	Spinout (in. lbs.)	Upset Load (lbs.)
AETHC-832-80	300 Series Stainless Steel	675	215	29	875	2400	450	55	1700
AETHC-1032-120	300 Series Stainless Steel	675	260	29	1150	2800	460	85	2000
AETHC-420-120	300 Series Stainless Steel	775	265	65	1700	4800	720	160	3100
AETHC-420-220	300 Series Stainless Steel	4100	570	165	1700	5100	650	205	3100
AETHC-518-120	300 Series Stainless Steel	825	260	90	2700	7000	1000	250	4600

Part Number	Test Sheet	Near Minimum Grip				Near Maximum Grip			
		Pullout (kN)	Pushout (kN)	Spinout (N•m)	Upset Load (kN)	Pullout (kN)	Pushout (kN)	Spinout (N•m)	Upset Load (kN)
AETHC-470-2.0	300 Series Stainless Steel	3.0	1.0	3.3	3.9	10.7	2.0	6.2	7.7
AETHC-580-3.0	300 Series Stainless Steel	3.0	1.2	3.3	5.1	12.5	2.0	9.6	8.9
AETHC-610-3.0	300 Series Stainless Steel	3.4	1.2	7.3	7.6	21.4	3.2	18.1	13.8
AETHC-610-5.5	300 Series Stainless Steel	18.2	2.5	18.6	7.6	22.7	2.9	23.2	13.8
AETHC-8125-3.0	300 Series Stainless Steel	3.7	1.2	10.2	12.0	31.1	4.4	28.2	20.5