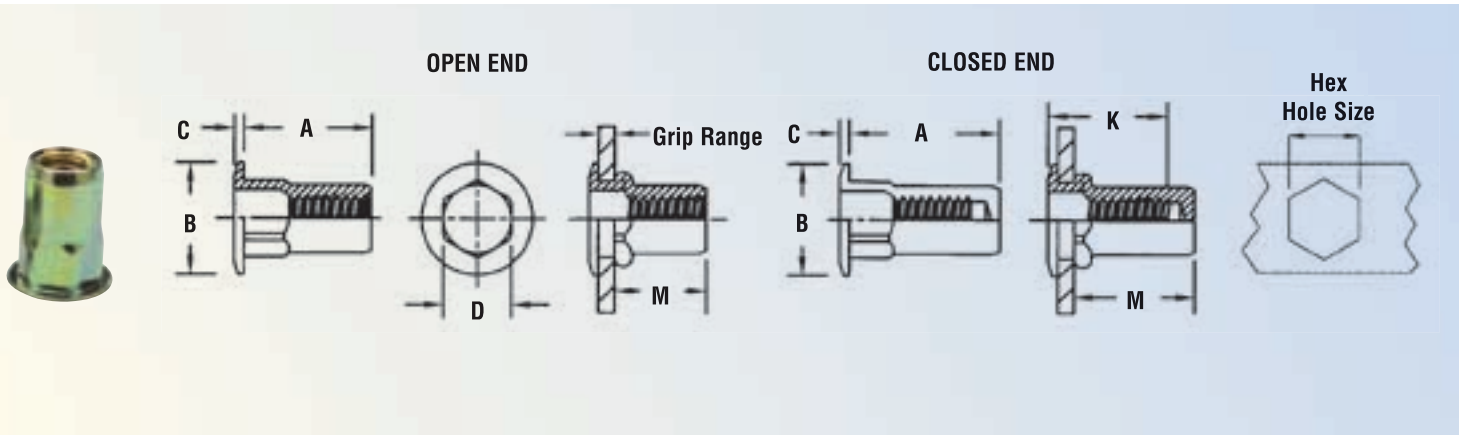


SpinTite - HALF-HEX SHANK LOW-PROFILE HEAD-TYPE AEH



All dimensions are in inches.

Thread Size (1)	Part Number	Grip Range (1)	Open					Closed					Hex Hole Size In Sheet +.006 -.000	
			A ±.015	B ±.015	C Nom.	D Max.	M Ref.	A ±.015	B ±.015	C Nom.	D Max.	K Min.		M Ref.
#6-32	AEHS-632-80	.020 - .080	.385	.375	.027	.249	.295	.740	.375	.027	.249	.43	.640	.250
#6-32	AEHS-632-130	.080 - .130	.435	.375	.027	.249	.295	.740	.375	.027	.249	.43	.580	.250
#8-32	AEHS-832-80	.020 - .080	.385	.375	.027	.249	.295	.740	.375	.027	.249	.43	.640	.250
#8-32	AEHS-832-130	.080 - .130	.435	.375	.027	.249	.295	.740	.375	.027	.249	.43	.580	.250
#10-32	AEHS-1032-130	.020 - .130	.435	.390	.027	.280	.275	1.030	.390	.027	.280	.58	.845	.281
#10-32	AEHS-1032-225	.130 - .225	.535	.390	.027	.280	.275	1.030	.390	.027	.280	.58	.735	.281
1/4-20	AEHS-420-165	.027 - .165	.585	.510	.030	.374	.400	1.190	.510	.030	.374	.70	1.015	.375
1/4-20	AEHS-420-260	.165 - .260	.685	.510	.030	.374	.400	1.190	.510	.030	.374	.70	.915	.375
5/16-18	AEHS-518-150	.027 - .150	.685	.655	.035	.499	.530	1.445	.655	.035	.499	.82	1.235	.500
5/16-18	AEHS-518-312	.150 - .312	.845	.655	.035	.499	.515	1.445	.655	.035	.499	.82	1.220	.500
3/8-16	AEHS-616-150	.027 - .150	.685	.655	.035	.499	.530	1.445	.655	.035	.499	.83	1.235	.500
3/8-16	AEHS-616-312	.150 - .312	.845	.655	.035	.499	.515	1.445	.655	.035	.499	.83	1.220	.500

All dimensions are in millimeters.

Thread Size x Pitch (1)	Part Number	Grip Range (1)	Open					Closed					Hex Hole Size In Sheet +0.15	
			A ±0.38	B ±0.38	C Nom.	D Max.	M Ref.	A ±0.38	B ±0.38	C Nom.	D Max.	K Min.		M Ref.
M4 x 0.7	AEHS-470-2.0	0.5 - 2	9.78	9.53	0.68	6.35	7.49	18.8	9.53	0.68	6.35	11.6	16.26	6.35
M4 x 0.7	AEHS-470-3.3	2 - 3.3	11.05	9.53	0.68	6.35	7.49	18.8	9.53	0.68	6.35	11.6	14.73	6.35
M5 x 0.8	AEHS-580-3.3	0.5 - 3.3	11.05	9.91	0.68	7.1	6.99	26.16	9.91	0.68	7.1	15.6	21.46	7.14
M5 x 0.8	AEHS-580-5.7	3.3 - 5.7	13.59	9.91	0.68	7.1	6.99	26.16	9.91	0.68	7.1	15.6	18.67	7.14
M6 x 1	AEHS-610-4.2	0.7 - 4.2	14.86	12.96	0.76	9.5	10.16	30.23	12.96	0.76	9.5	17.5	25.78	9.53
M6 x 1	AEHS-610-6.6	4.2 - 6.6	17.4	12.96	0.76	9.5	10.16	30.23	12.96	0.76	9.5	17.5	23.24	9.53
M8 x 1.25	AEHS-8125-3.8	0.7 - 3.8	17.4	16.64	0.89	12.7	13.46	36.7	16.64	0.89	12.7	20.2	31.37	12.7
M8 x 1.25	AEHS-8125-7.9	3.8 - 7.9	21.46	16.64	0.89	12.7	13.08	36.7	16.64	0.89	12.7	20.2	30.99	12.7
M10 x 1.5	AEHS-1015-3.8	0.7 - 3.8	17.4	16.64	0.89	12.7	13.46	36.7	16.64	0.89	12.7	20.8	31.37	12.7
M10 x 1.5	AEHS-1015-7.9	3.8 - 7.9	21.46	16.64	0.89	12.7	13.08	36.7	16.64	0.89	12.7	20.8	30.99	12.7

(1) Additional thread sizes and grip ranges available.

MATERIAL & FINISH SPECIFICATIONS

Type	Threads	Material	Standard Finish
AEH	Unified, 2B per ASME B1.1 Metric, 6H per ASME B1.13M	Steel, C-1008 or C-1010, or Equivalent	Zinc Yellow Plate per ASTM B 633, Fe/Zn 8, Type II

Part Number Designation

