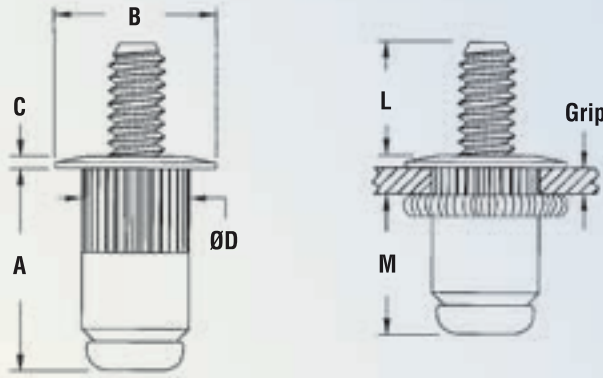


SpinTite - BLIND THREADED STUDS-TYPE AES-UNIFIED



NOTE: The "L" dimension is the height of the installed stud at max grip. The height of the stud will increase if it is installed into thinner material. To calculate "actual L" use this formula: max grip - actual grip + L = "actual L"

All dimensions are in inches.

Thread Size	Grip Code	Grip Range	Stud Length "L" Nom. (at Max. Grip)			A ±.020	B ±.015	C Nom.	ØD Max.	M Ref.	Hole Size In Sheet +.006 -.000
			Part Number								
#6-32	80	.020 - .080	.500	.625	.750	.490	.390	.030	.265	.375	.266
			AESS-632-80-500	AESS-632-80-625	AESS-632-80-750						
			.450	.575	.700						
#6-32	130	.080 - .130	AESS-632-130-450	AESS-632-130-575	AESS-632-130-700	.540	.390	.030	.265	.375	.266
			.500	.625	.750						
			.450	.575	.700						
#8-32	80	.020 - .080	AESS-832-80-500	AESS-832-80-625	AESS-832-80-750	.490	.390	.030	.265	.375	.266
			.500	.625	.750						
			.450	.575	.700						
#8-32	130	.080 - .130	AESS-832-130-450	AESS-832-130-575	AESS-832-130-700	.540	.390	.030	.265	.375	.266
			.500	.625	.750						
			.450	.575	.700						
#10-24	130	.020 - .130	AESS-1024-130-500	AESS-1024-130-625	AESS-1024-130-750	.545	.415	.030	.296	.385	.297
			.405	.530	.655						
			AESS-1024-225-405	AESS-1024-225-530	AESS-1024-225-655						
.500	.625	.750									
#10-32	130	.020 - .130	AESS-1032-130-500	AESS-1032-130-625	AESS-1032-130-750	.545	.415	.030	.296	.385	.297
			.405	.530	.655						
			AESS-1032-225-405	AESS-1032-225-530	AESS-1032-225-655						
.625	.8125	1.000									
1/4-20	165	.027 - .165	AESS-420-165-625	AESS-420-165-8125	AESS-420-165-1000	.670	.500	.030	.390	.470	.391
			.530	.7175	.905						
			AESS-420-260-530	AESS-420-260-7175	AESS-420-260-905						
.625	.875	1.125									
5/16-18	150	.027 - .150	AESS-518-150-625	AESS-518-150-875	AESS-518-150-1125	.805	.685	.035	.530	.585	.531
			.508	.713	.963						
			AESS-518-312-463	AESS-518-312-713	AESS-518-312-963						
.750	1.000	1.250									
3/8-16	150	.027 - .150	AESS-616-150-750	AESS-616-150-1000	AESS-616-150-1250	.805	.685	.035	.530	.585	.531
			.508	.838	1.088						
			AESS-616-312-588	AESS-616-312-838	AESS-616-312-1088						

Part Number Designation

