

PEMSERTER® SERIES 2000® BASE PRESS

Manual Air-Over-Oil Fastener-Insertion Press



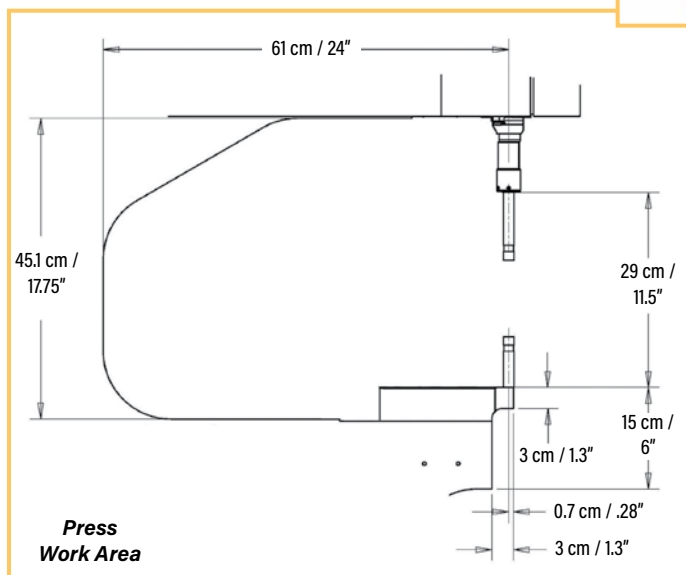
The PEMSERTER® Series 2000® air-over-oil actuating system provides short cycle time for increased productivity and 71.2 kN / 8 tons of force and a 61 cm / 24" throat depth which provides clearance for a variety of chassis configurations. The press is engineered to promote streamlined job productivity and quality while installing self-clinching fasteners permanently in thin metal sheets. Noteworthy features include touch screen controls to minimize operator training and greatly simplify use; self-diagnostic system to allow an operator to work with increased speed, accuracy, and confidence; and enhanced programming for quicker start-up and fast cycling.

FEATURES AND BENEFITS

- The job search and recall mode allows operators to reference 99 stored jobs and return to previous jobs quickly and easily.
- Touch-screen and graphics contribute to operator-friendly operation.
- Multi Language pre-loaded on touch screen.
- Real-time installation force feedback displayed on screen.
- Fastener and batch counters.
- Descriptive screen alerts for operating errors.
- Smart dwell and force verification.
- Self-diagnostic system lets operator work with increased speed, accuracy, and confidence.
- LIGHTSTREAM® Operator Safety System provides continuous operator and workpiece protection.



CE



SPECIFICATIONS

Ram Force	1.8 to 71.2 kN / 400 to 16,000 lbs.
Control System	PLC Logic
Pressure System Type	Air-Over-Oil
Electric Requirements	120V 60Hz 4A or 230V 50Hz 2A single phase
Air Requirements*	6 to 7 BAR / 90 to 100 PSI 12 mm / 1/2" dia. minimum line flow
Throat Depth	61 cm / 24"
Height	193 cm / 76"
Width	92 cm / 36"
Depth	126 cm / 49.5"
Weight	1,089 kg / 2,400 lbs.

*1 psi = 0.07 bar. 1 bar = 14.5 psi.

Regulatory compliance information is available in Technical Support section of our website. © 2016 PennEngineering.

Specifications subject to change without notice. See our website for the most current version of this bulletin.

PennEngineering®



North America: Danboro, PA USA • E-mail: info@pemnet.com • Tel: +1-215-766-8853 • Fax: +1-215-766-0143 • 800-237-4736 (USA Only)
Europe: Galway, Ireland • E-mail: europe@pemnet.com • Tel: +353-91-751714 • Fax: +353-91-753541
Asia/Pacific: Singapore • E-mail: singapore@pemnet.com • Tel: +65-6-745-0660 • Fax: +65-6-745-2400
 Shanghai, China • E-mail: china@pemnet.com • Tel: +86-21-5868-3688 • Fax: +86-21-5868-3988

Visit our PEMNET™ Resource Center at www.pemnet.com

Technical support e-mail: techsupport@pemnet.com