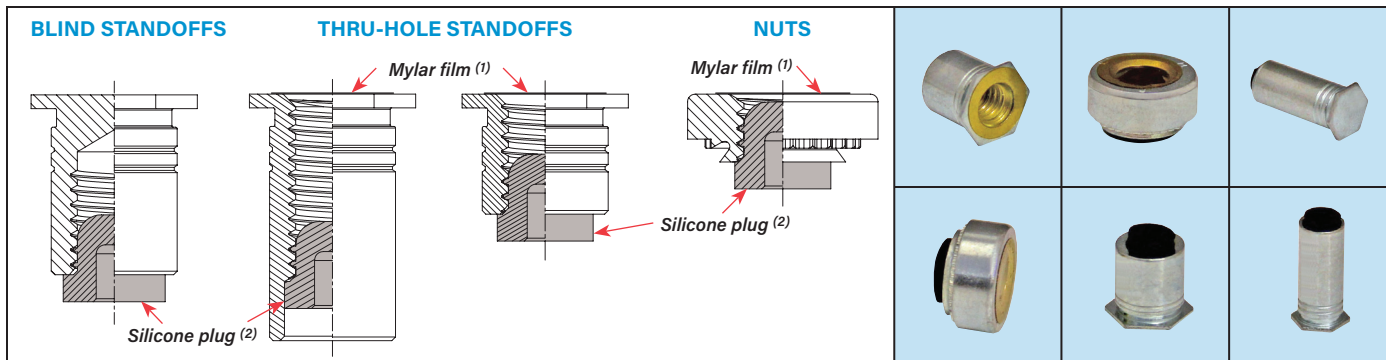


Thread protection for PEM® internally threaded fasteners

PEM PreTect™ thread masking plugs reduce labor and protect threads from paint and powder coating processes. PreTect™ masking is available for self-clinching nuts and standoffs in a variety of thread sizes and materials. Features include:

- Fasteners are shipped with plugs and film (where applicable) already in place.
- Plugs and film easily removed with a fine tip tool by end user.
- Plugs and film can withstand 482°F/250°C temperatures.
- Fasteners can be installed using automated installation equipment. Tooling for standard PEM product may have to be adjusted for the PreTect™ product.



(1) Thru-hole type standoffs and nuts have a polyimide patch on the side opposite of the plug to protect threads during coating or painting. The area under the polyimide patch will not get coated or painted.

(2) Temperature maximum: 482°F / 250°C.

AVAILABLE OPTIONS

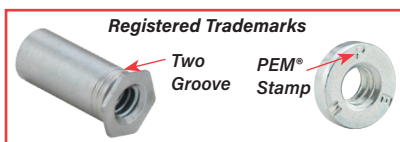
Fastener	Thread Sizes
Blind Standoffs – all length codes (BSO, BS04, BSOA, BSOS)	#4-40 to 1/4-20 M3 to M6
Thru-hole Standoffs – all length codes (CSOS, CSS, DSO, DSOS, SO, S04, SOA, SOS, SOAG, SOSG, TSO, TSOA, TSOS)	#4-40 to 1/4-20 M3 to M6
Nuts – all shank codes (B, BS, CLA, CLS, CLSS, H, HN, S, SS, SMPP, SP, F, F4, SL, S-RT, SH)	#4-40 to 1/4-20 M3 to M6

EXAMPLE PART NUMBER

S - M3 - 1 ZI - TP

Type Thread Code Shank Code Finish Thread Masking Plug and/or Film

Add the suffix "TP" to PEM® part number to order fastener with pre-installed thread masking plug.



© 2018 PennEngineering.

All PEM® products meet our stringent quality standards. If you require additional industry or other specific [quality certifications](#), special procedures and/or part numbers are required. Please contact your local sales office or representative for further information.

Regulatory [compliance information](#) is available in Technical Support section of our website. Specifications subject to change without notice. See our website for the most current version of this bulletin.

PennEngineering®



North America: Danboro, Pennsylvania USA ▪ E-mail: info@pemnet.com ▪ Tel: +1-215-766-8853 ▪ 800-237-4736 (USA)

Europe: Galway, Ireland ▪ E-mail: europe@pemnet.com ▪ Tel: +353-91-751714

Asia/Pacific: Singapore ▪ E-mail: singapore@pemnet.com ▪ Tel: +65-6-745-0660

Shanghai, China ▪ E-mail: china@pemnet.com ▪ Tel: +86-21-5868-3688

Visit our PEMNET™ Resource Center at www.pemnet.com ▪ Technical support e-mail: techsupport@pemnet.com